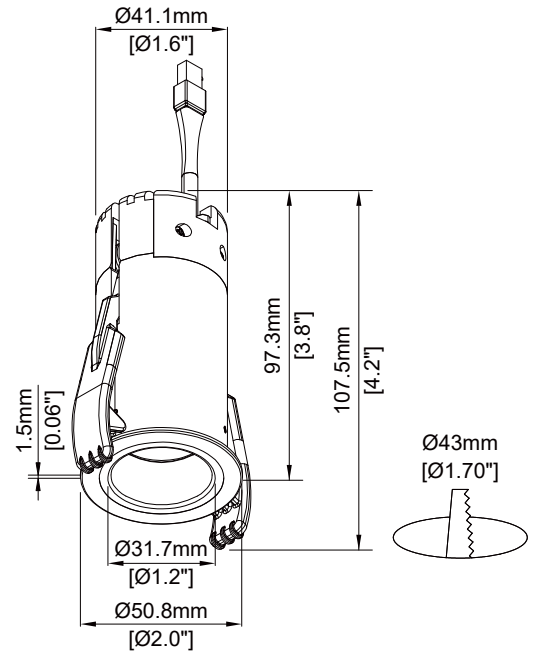


Specification sheet

REV.7

Lithe 25, Colour Round 1" Architectural Recessed Downlight



Description

Lithe 25 is a truly singular recessed downlight that is unmatched in many aspects including performance, construction, installation, and quality. This luminaire is engineered to deliver up to 500 lm from just 1" aperture. Owing to a micro-flange design and just 1.7" ceiling cutout, it is one of the smallest downlight that seamlessly integrates into the ceiling to provide maximal conformity and uniformity. Double trim enables color feature on inner trim for aesthetic and glare control purpose. This luminaire is designed with more than 30° glare control cutoff and carefully selected TIR lens system, available in spot, medium, wide, to present best visual comfort and light quality. Inner trims and TIR lens are available as accessories that can be easily swapped in the field. Unique spring design makes installation hassle-free. Lithe 25 is available with options for round, square, wall wash, three beam angles, four trim colors, four color temperatures, and 90+ CRI making it one of most complete 1" downlight family in the market.

Features

LED	Lumileds Luxeon M LED Array
Color temperature	2700K/ 3000K/ 3500K/ 4000K
Optics	Spot 23° / Medium 32° / Wide 35°
Trim Finishes	White / Gold / Blue / Black / Haze
Ceiling Cutout	Ø 43mm [1.70"]

Performance

Delivered output	Up to 737 lm (90+ CRI)
Power consumption	8.5 W
Color rendering	90+ CRI (80 CRI+ optional)
Color consistency	3 SDCM
CBCP	Spot 572cd/ Medium 1556cd/ Wide 1537cd
Lumen maintenance	L80 B10 50,000 hrs

Electrical and Control

Input voltage	See recommended LED driver list
Control	TRIAC/ELV or 0-10V dimming
Feature	Overload & short circuit protection

Construction

Material	Machining grade Aluminum
Trim shape	Round
Lens	Interchangeable TIR optics
Accessories	Softening diffusing film

Rating/ Certification/ Warranty

- Dry and damp Locations
- RoHS compliant
- 5 years/ L70 50,000 hrs warranty
- UL Listed

Ordering Code Information

PRODUCT	TRIM STYLE	LUMEN	COLOR TEMPERATURE	FINISH	BEAM ANGLE	COLOR RENDERING
LTE 25	R	07	27	WHGD	S	9
LTE 25	R Round S square	07 737lm	27 (2700K) 30 (3000K) 35 (3500K) 40 (4000K)	WH(White) WHB(White/Black) WHBL(White/Dark Blue) WHGD(White/Gold) WHHZ (White/ Haze)	S (Spot) / 23 deg. M (Medium) / 32 deg. W (Wide) / 35 deg.	8 (80+ CRI) 9 (90+ CRI)

Photometrics

MULTIPLYING FACTORS: (Multiplying Factor is based on 3000K-90+CRI IES file on website)

CCT	2700K-80+	3000K-80+	3500K-80+	4000K-80+
Factors	1.12	1.2	1.22	1.27

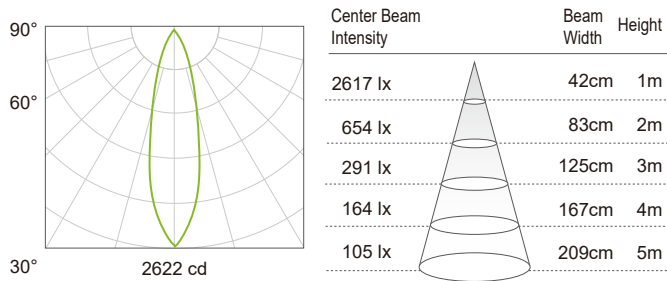
CCT	2700K-90+	3000K-90+
Factors	0.94	1.0

Photometrics

Round | 8.5W | 90CRI | 3000K | Deep Bevel Trim

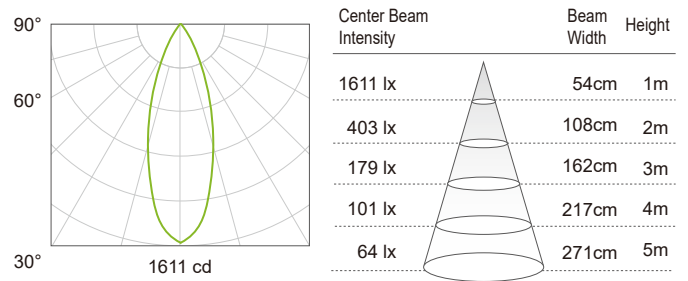
Spot 23°

Delivered Output : 572 lm | CBCP :2420 cd | Beam Angle : 23°



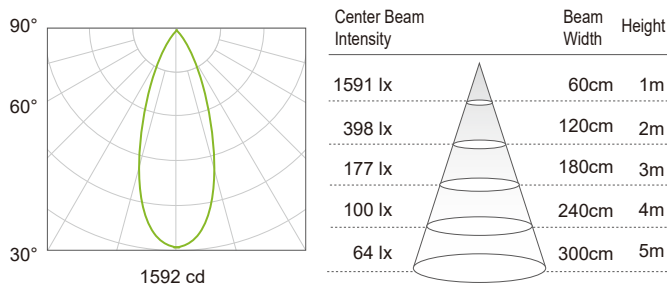
Medium 32°

Delivered Output : 571 lm | CBCP : 1556 cd | Beam Angle : 32°



Wide 35°

Delivered Output : 650 lm | CBCP : 1537 cd | Beam Angle : 35°



Recommend LED Driver:

Driver No.	Input Voltage	Dimming	Note
DE-1-700-10	120V	TRIAC/ELV	
DE-1-900-10	120V	TRIAC/ELV	Consult Factory
DE-4-700-10	220-240V	TRIAC/ELV	
DE-4-900-10	220-240V	TRIAC/ELV	Consult Factory
DA-3-700-10	120-277V	0-10V DIMMING	